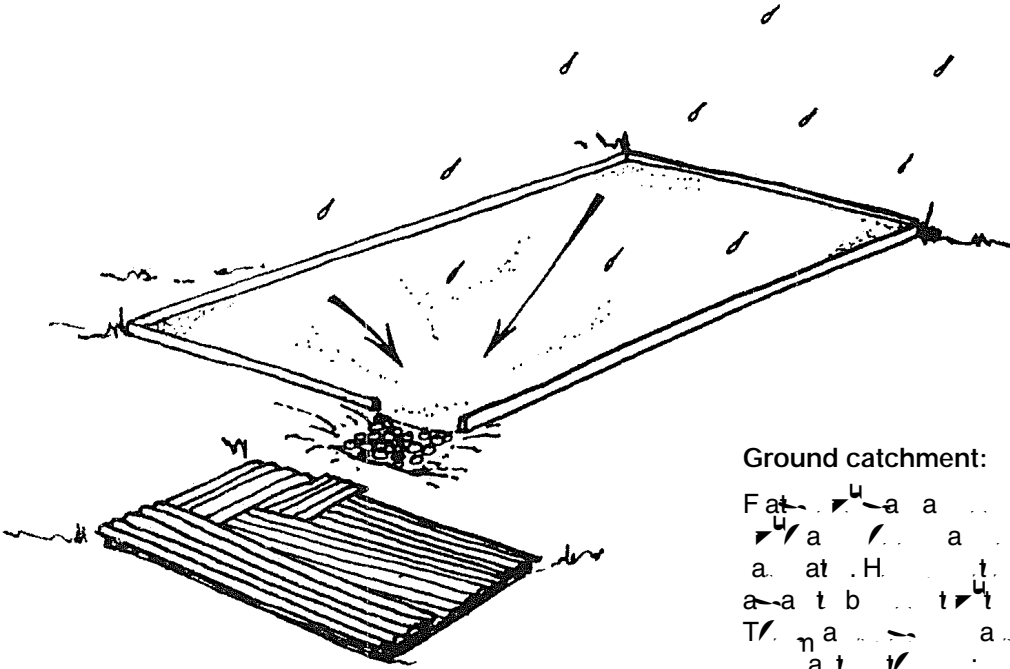
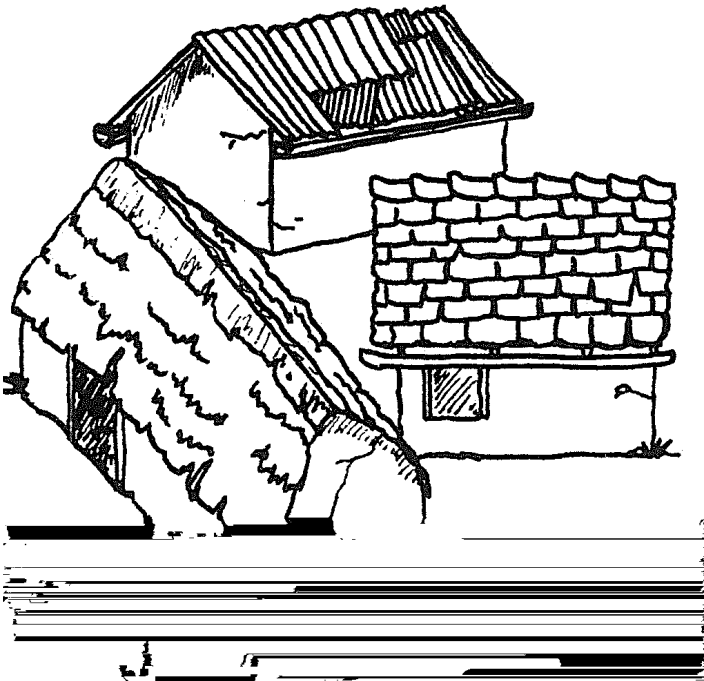


Catchment

T at n ta a n a b a . . . a a a . . . u .

Roof catchment:

C u at . . . a t . u . T a a ,
ab a a n a ta . C t a a b k t
. . b t u a n at a a at ,
a n tt v at . H . at t
n v at . a u u ta n at .
A n n t t u at t v at .
T n ta v a t at .
C t a at n a v a t n
a at a t v a t a t a v
n t t v t a t a n t .

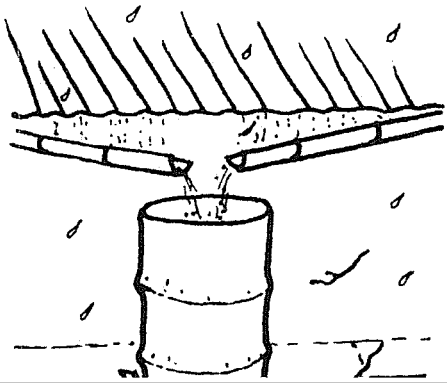
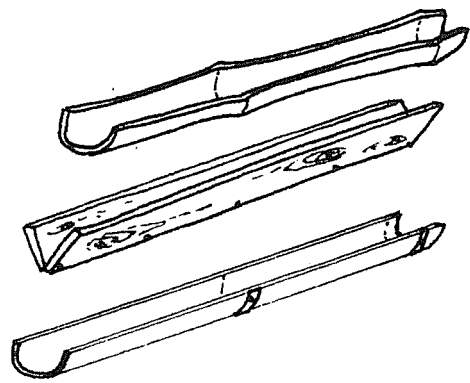


Ground catchment:

Fat u a a t u v u
a a a a a a a t
a at H t n u a a at m t
a a t b t t b a a t v u a
T n a a a a t a ; n k a
n a t v ; v a a v a / at , t ,
a n at a , a u ab b n at a .
U a u at n ta a a b n u
n t t u ta n a ta t a
at n t T u n a a b n ab t
b n , a u n a at t at n t a a ab ,
at t t a u n b u
. . at . a att .

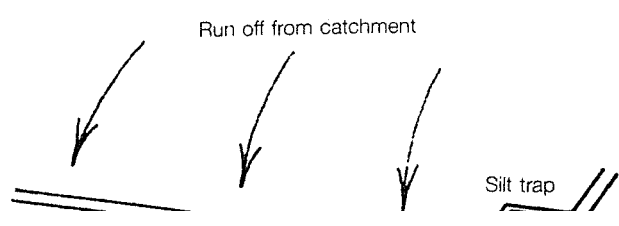
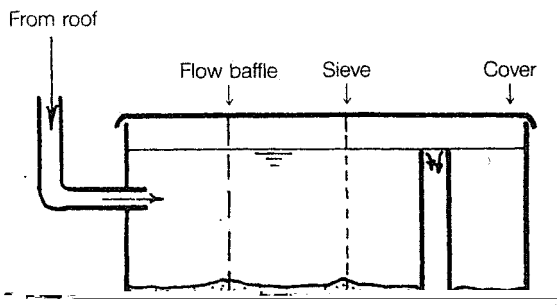
Collection

F. n . . . :T/ . . . u u . . . b n a . . . a H a
 . . . t n . . . G H n a b n a . . . n a . . .
 . . . b a n b . . . u . . . a b . . . n a a . . .
 PVC. T/ . . . u . . . H . . . n a b a . . . b n . . . u n
 . . . a . . . a . . . n a a u . . . b t . . . t
 a b k t a n a t a a . . . u . . .



Wat n u b a . . . n v a t v t a
 tak a v n t H a . . . t n
 b v a t t . . . t u a n a t a . T n a
 . . . u b a . . . t a t . . . u . . . t
 . . . a a a l . . . a n . . . a . . .
 ab t 200 . . . n . . . v a b t v a t
 a a a t . . . a n a t a a . . . v u n a . . . t
 b . . . b . T . . . H n u a b n . . . u n +
 a t a . . . t a . . . a . . . v b n . . . a
 . . . u . . . at . T . . . u b . . . t . . . t
 t a v t a tak v at . ta a t . . . a
 . . . n .

S a at . . . t . u : T a . at v t v u
 . . . a . . . a t n . . . b . . . H b . . . u t . a
 . . . v . . . n . . . t n v . . . t b t t a at
 v . . . at . . . n . . . a Va . . .
 a . . . a . . . u . . . ab . a t b t t n t u
 a n . . . a t n . . . at . . . u a v . . .
 . . . b a n a ba tak a . . .



C. . . n . . . v . . . u t . . . t
 . . . u a . . . t a . . . at t a . . . v t a tak . . .
 . . . b b n a . . . t . . . a . . . Wat . . .
 v . . . n . . . b . . . u . . . t b . . . H . . . a b . . . t . . .
 a v b t a t n . . . n . . . t n a t a . . . b
 n a . . . a t t a . . .

To tank

Storage

